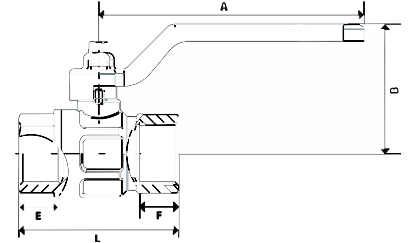


Acc. to EN 331 - with DIN DVGW approval.

Ball valves with full bore, for gas installations.

Housing	Nickel-plated brass
Ball	Chrome-plated brass (CW617N)
Ball seal	PTFE
Stem seal	NBR / FKM
Lever handle	Steel, painted yellow
Operating temperature	-20 °C to +60 °C
Operating pressure	max. 5 bar (MOP 5) for gas installations acc. to DVGW
Thread	Rp thread acc. to ISO 7-1

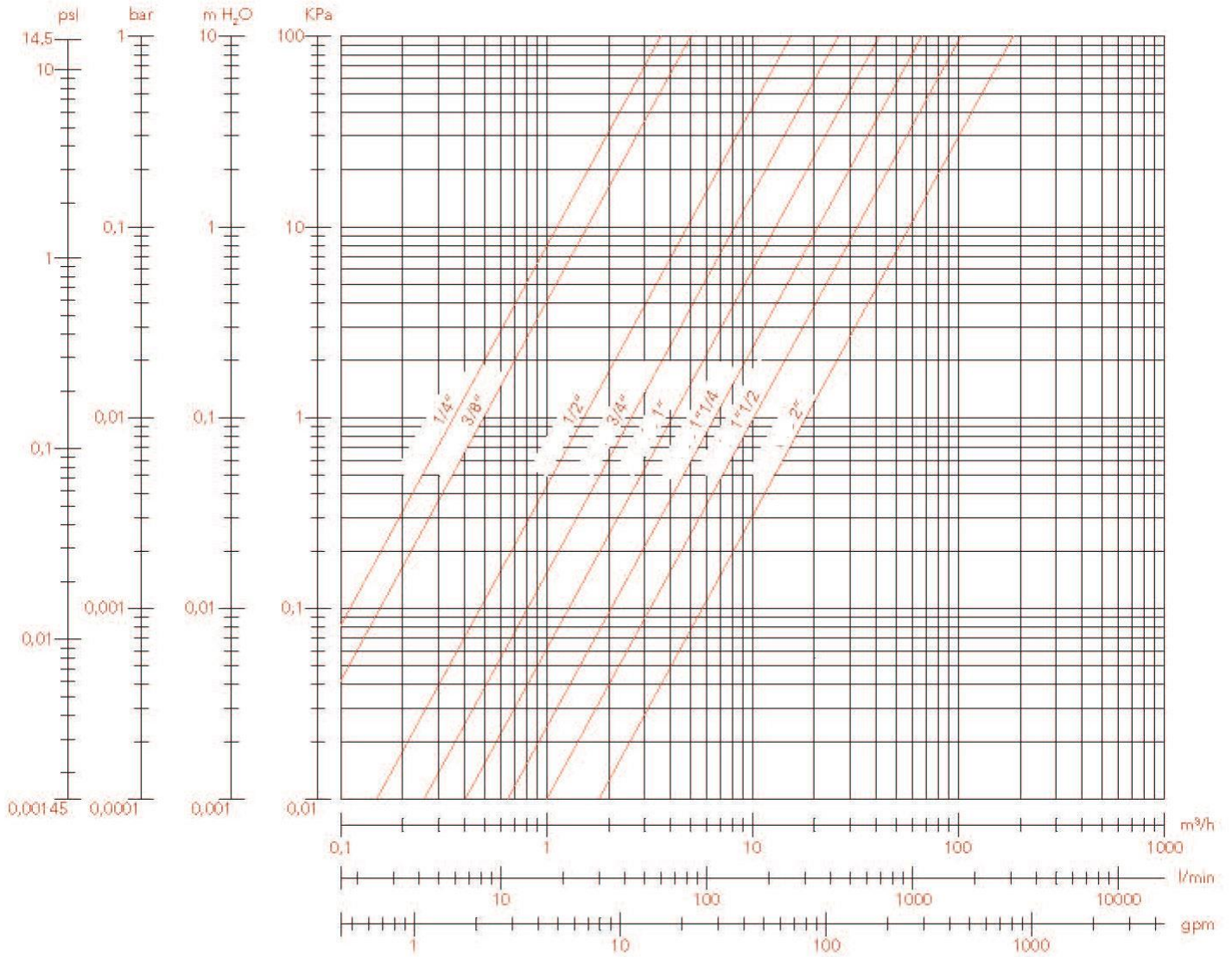


**Ball valves, DVGW approved**

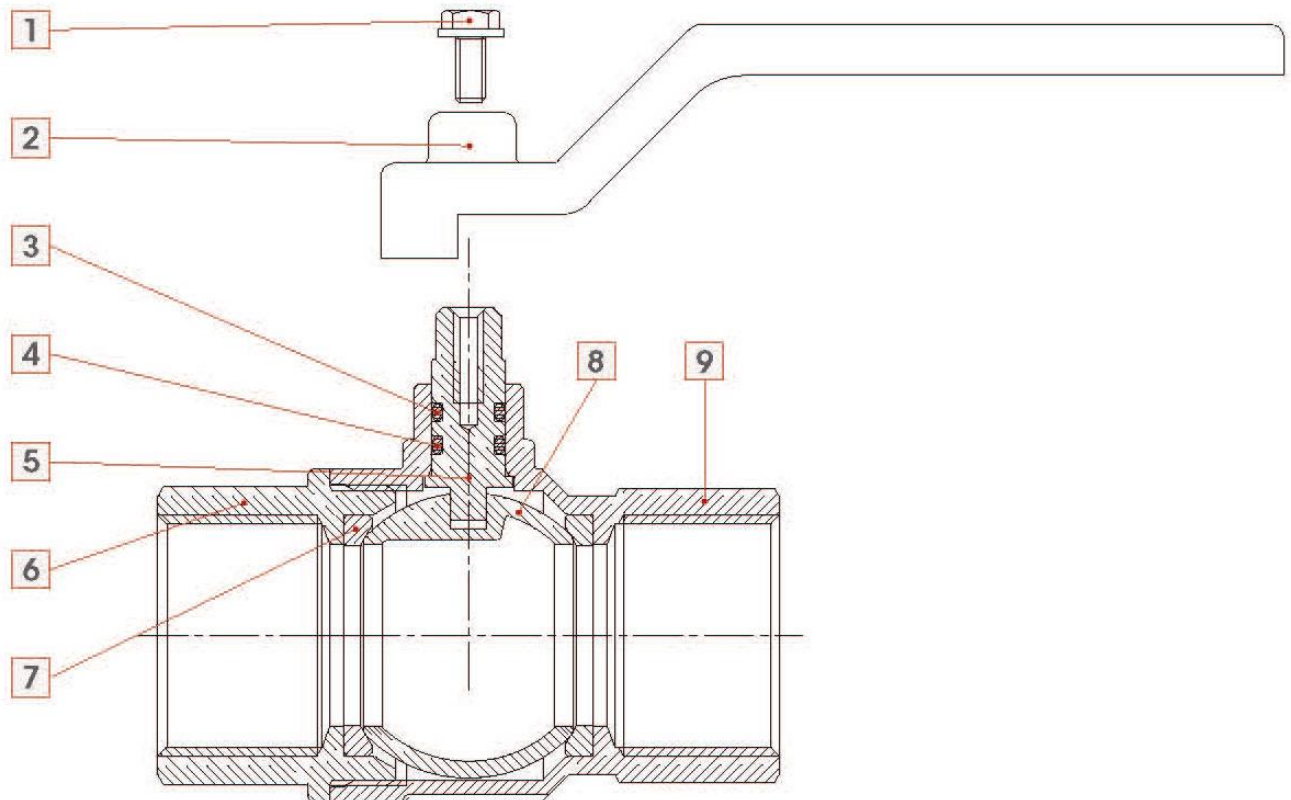
Art. No.	Ident No.	Thread	DN	PN bar	A mm	B mm	L mm	E mm	F mm
3350.101	103302	Rp 1/4	8	50	80.0	37.3	49.5	11.0	11.0
3350.102	103303	Rp 3/8	10	50	80.0	37.3	52.4	11.4	11.4
3350.103	103304	Rp 1/2	15	50	88.5	48.8	61.0	15.0	15.0
3350.104	103305	Rp 3/4	20	40	113.0	54.8	68.0	16.3	16.3
3350.105	103306	Rp 1	25	40	113.0	56.8	85.0	19.1	19.1
3350.106	103307	Rp 1 1/4	32	30	138.0	75.0	99.5	21.4	21.4
3350.107	103308	Rp 1 1/2	40	30	157.8	90.3	109.0	21.4	21.4
3350.108	103309	Rp 2	50	25	157.8	97.3	130.0	25.7	25.7



3350.104



	1/4"	3/8"	1/2"	3/4"	1"	1 1/4"	1 1/2"	2"
∅	10	10	15	20	25	32	40	50
Kv	3,45	5,00	15,65	26,26	41,44	63,69	101	169



Pos.	DESCRIZIONE / DESCRIPTION	Qt.	MATERIALE / MATERIAL
1	Vite / Screw	1	Acciaio zincato / Zinc-plated steel Fe CB4
2	Maniglia a leva / Lever handle	1	Acciaio zincato e verniciato / Zinc-plated and varnished steel Fe.P04
3	Guarnizione / O-Ring	1	VITON®
4	Guarnizione / O-Ring	1	NBR
5	Asta di manovra / Stem	1	Ottone / Brass CW614N
6	Manicotto / End adapter	1	Ottone nichelato / Nickel-plated brass CW617N
7	Sede / Seat	2	P.T.F.E.
8	Sfera / Ball	1	Ottone cromato / Chrome-plated brass CW617N
9	Corpo / Body	1	Ottone nichelato / Nickel-plated brass CW617N